



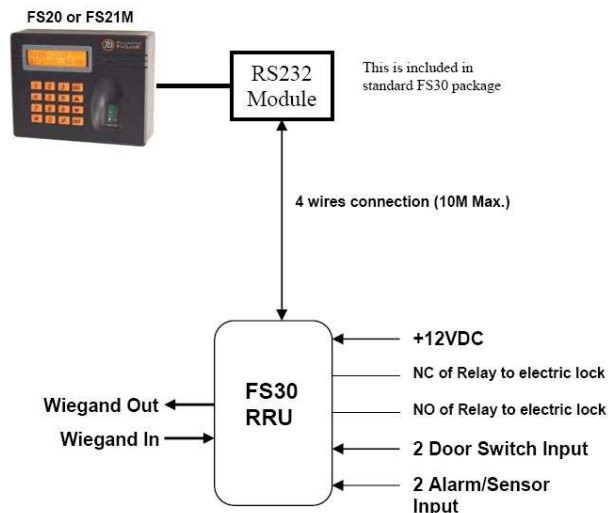
A X E Z E

Access Control Products

FS30 Remote Relay Unit (RRU)

FS30 RRU – Remote Relay Unit for Axeze Fingerprint Access Control Systems

FS30 RRU is a useful accessory for customers who need higher security when using Axeze Fingerprint Access Control System FS2x series (FS20, FS21M and FS22).



The FS30 can be located inside the facility. When access to this facility is granted by the FS2x, mounted outside the facility, instead of FS2x controlling the electric door strike directly, a signal is sent from FS2x to FS30 which will open the door. This eliminates the possibility of manipulating the connection between FS2x and electric door lock to make unauthorised access.

All the functions of FS30 are controlled from FS2x. Once it is connected to FS2x, it can be set up in 5 minutes.

Apart from enhanced security, FS30 also expands the function of the overall Access Control System. There are 2 Alarm/Sensor inputs that can be connected to various sensors around the access point, such as door sensor, intruder sensor, etc. When either sensor is triggered; the alarm on the FS30 siren will be activated. This can only be de-activated by the System Administrators through FS2x.

Wiegand IN and OUT interfaces allow connection

with other access control devices..

Features:

- One Relay channel with COM/NC/NO for electric door lock control
- Two Alarm/Sensor inputs that can be set to NC or NO independently
- One siren with 3 level volume control will be activated by events on the Alarm/Sensor inputs. A maximum duration of 60 seconds can be set for siren operation
- Two door switch inputs
- One Wiegand Out and One Wiegand In
- Included with the FS30 are
 - One RS232 module
 - 10M Cable for (RS232 module to FS30)



FS30



FS30



RS232 Module

Specifications

- Supply voltage: 12VDC
- Siren output: 1 Watt
- One red/green bi-colour LED for status indication
- Standard Wiegand signal interface
- 115200bps RS232 communication between FS2x and FS30
- Maximum connection distance between FS2x and FS30 is 10 meters
- Operating temperature : -10 to +55 degree C
- Size of RRU: 1160mm(W) x 36mm(H) x 67mm(D)
- Size of RS232 module: 20mm x 20mm x 17mm Enclosure: FS

Axeze Pty. Ltd. ABN 83 077 328 851

PO Box 387, Hindmarsh, South Australia 5007

+61 8 8340 8200 ph

+61 8 8340 8211 fax

sales@axeze.com.au

www.axeze.com.au

The above specifications are subject to change without notice